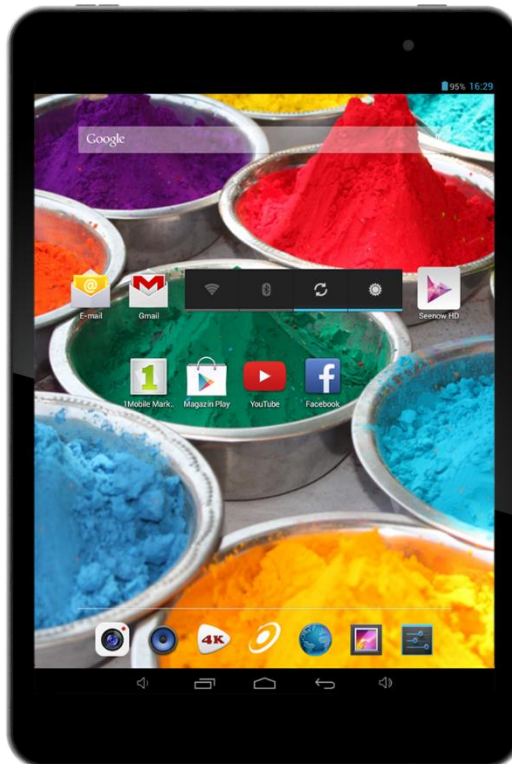


## Languages

- English. ....2
- Romanian. ....14
- Bulgarian. ....26
- Hungarian. ....39



## Revo R90 Tablet Computer



## Quick Start Guide



## CAUTION

RISK OF ELECTROCUTION  
DO NOT OPEN



DO NOT OPEN COVER TO PREVENT RISK OF ELECTRIC SHOCK.  
NOT INCLUDED PARTS THAT CAN BE REPAIRED BY THE USER.  
FOR SERVICE CONSULT QUALIFIED PERSONNEL.



Symbol with lightning flash with arrowhead, within an equilateral triangle is intended to alert the user to the presence of uninsulated dangerous voltage inside the product that may be of sufficient magnitude to constitute a risk of electric shock.



Exclamation point within an equilateral triangle is intended to alert the user to the presence instructions for use and maintenance (servicing) instructions in the literature accompanying the appliance.

**WARNING** TO PREVENT THE RISK OF FIRE OR ELECTRIC SHOCK, DO NOT EXPOSE THIS UNIT TO RAIN OR MOISTURE.

**CAUTION** TO PREVENT RISK OF ELECTRIC SHOCK, MAKE SURE THE PLUG IS INSERTED INTO THE WALL OUTLET.

## IMPORTANT SECURITY MEASURES



directive.

All leadless product offered by our company are in conformity with the European Law Directive about the Restriction of Hazardous Substances (RoHS), meaning that our production processes and products are strictly „leadless” and without the hazardous substances mentioned in the



The cut sign on the garbage bin symbolizes that within the European Union the product must be recycled separately at the end of its life. This applies to your product and all other peripherals marked with this symbol. Do not dispose of these products as unsorted garbage. Contact your local dealer for recycling procedures for this equipment.

## LEGAL STATEMENTS

We reserve the right to modify or eliminate any content in this manual at any moment. We do not guarantee and assume any legal liability or responsibility for the accuracy, completeness or use of this manual. The content of this manual can be modified without any notice in advance.

The screenshots used in this manual are for illustrative purpose only and can not be representative for the real product.

## RECOMMENDATIONS

- **AVOID DUSTY LOCATIONS:** Excessive dust accumulation may cause malfunctions.
- **DO NOT EXPOSE TO MOISTURE:** Exposing the unit to water presents a high risk of electrocution.
- **DO NOT DROP OR SUBJECT TO SHOCK:** Dropping the product might damage the internal components.
- **DO NOT OPEN THE COVER:** Inside are pieces that cannot be fixed by the user.

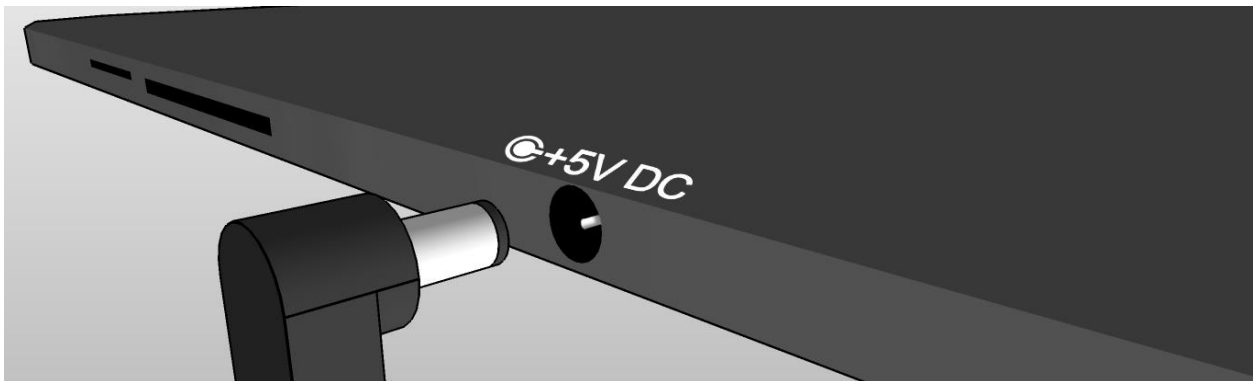
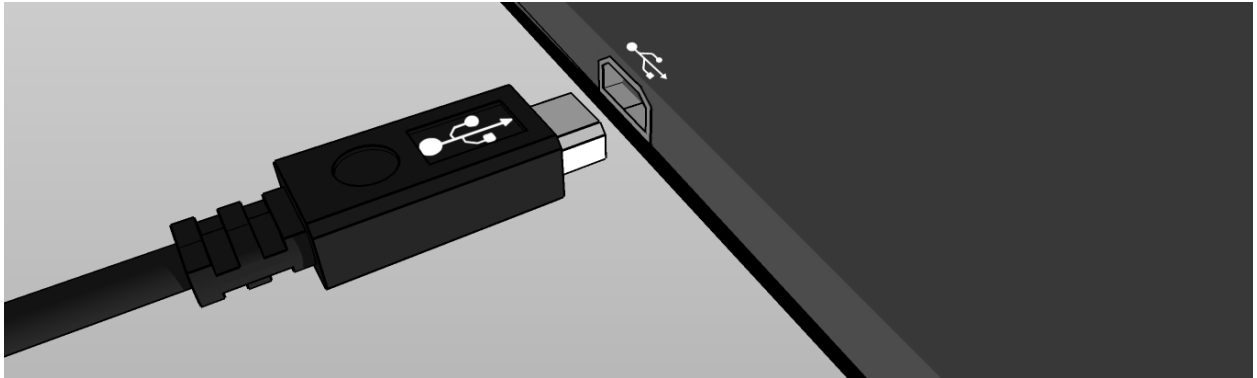
## TRADEMARKS

- Android™ is a trademark registered by Google.
- Microsoft™ and Windows™ are trademarks registered by Microsoft Corporation.
- Author rights © of all applications belong to their specific owners.



## Getting Started

**1.** Charge your tablet by plugging in the power adapter into an electrical outlet and connecting the cable to the USB/Power Port. You can also charge your device or transfer data to your device by connecting the USB cord to a computer's USB port.



**2.** A charging icon (🔋) in the center of your Tablet screen indicates that the battery is charging. When the battery is fully charged, the charge indicator will turn green.

*Tip: You can use your device while it charges.*

**3.** Power your Tablet on by pressing and holding the power button. After your device starts up, you can open "User's Guide" placed on the Home screen to help familiarize you with your Tablet's capabilities.



## Getting around

### ITEM

### INFO

1 - DISPLAY	The screen of your device
2 - CAMERA	Front camera
3 - VOLUME +	Turns up the speaker volume
3 - VOLUME -	Turns down the speaker volume
4 - USB PORT	Connects your device to PC/Battery charging port
5 - MINI HDMI	Mini HDMI port for connecting to TV
6 - MICROPHONE	Used for sound recording
7 - 3.5mm JACK	Audio input/output port
8 - MICRO SD PORT	Plug in Micro SD card to expand memory
9 - POWER SWITCH	Powers on/off, sleeps or wakes your device when pressed
10 - RESET BUTTON	Resets your device
11 - CAMERA	Back camera
12 - APP DRAWER	Opens the "All applications" menu
13 - BACK	Retraces your steps

14 - HOME

Shows the Home screen

15 - TASK MANAGER

Shows running apps - slide apps to the sides to close them

## Getting connected

**All Tablet devices have Wi-Fi connectivity built-in and some models also include 3G connectivity.**

*Tip: To check if you have a Wi-Fi-only device or a Wi-Fi and 3G capable device, press the App Drawer button from the Home screen and choose "Settings". Scroll down to "About Tablet" and tap "Status". If you find "SIM status" in the list that opened you have a 3G device, else you have a Wi-Fi-only device.*

If your tablet includes 3G connectivity, you should check the "Access Point Names" under "Mobile networks" after tapping the "More..." menu under "Wireless and networks" category in "Settings". You can find the APN (Access Point Names) settings on our website or on your network operator's website. If you see any solid bars in the network status indicator (📶) in the upper right corner of your Tablet screen, your device is already connected to the internet.

If your device is Wi-Fi-only, or you would like to set up a Wi-Fi connection for your Wi-Fi and 3G capable device, follow the steps below.

1. Press the Home button on your device, then the App Drawer button.
2. Navigate to "Settings" and select it from the list.
3. Select "Wi-Fi", slide the "OFF" switch to the right until it displays "ON" and it will display available networks.
4. Select a public or private Wi-Fi network. Private networks are shown with a lock icon and will require you to enter a password.

## Getting registered

You can easily register your device to a Gmail account by following the steps below:

1. Navigate to "Settings".
2. Scroll down to the "Accounts" section and select "Add account".
3. Select "Google" in the popup menu that appeared.
4. If you do not have an account, select "New". If you already have an account skip to step 9 in this list.
5. Enter your first and last name in the required fields and tap the right arrow.



6. The “Choose username” menu will appear. Write your desired username in the text field and tap the right arrow. If the username is not available you will be able to try another username and even choose from a list of suggestions. After selecting a new username tap “Next”.
7. Create a password for your account and re-type it in the second field. Tap the right arrow to continue.
8. Add recovery information for your account: a security question and a recovery email address.
9. You will be prompted to join Google+, a socialization network. You can skip this step and join at a later time, since it is not mandatory to set up an account.
10. You will be prompted to set up Google Wallet and add your credit card information. You can skip this step since it is not mandatory to set up an account.
11. In the Backup you can choose to back up your Tablet data to you Google Account. Tap the right arrow after making your decision. This is the final step in setting up your Google Account.

*Tip: To install new apps open the App Drawer, select “Google Play Store” from the list and search for the desired app in the “Search” field.*

## Contacting us

For support questions, troubleshooting, or help with your Tablet, please contact E-Boda Customer Service.

Online: [www.e-boda.ro/e-boda-service-center](http://www.e-boda.ro/e-boda-service-center)

E-mail: [support@e-boda.ro](mailto:support@e-boda.ro)

Phone: 031.4253.775 - Mobile: 0724.282.258 (charges will apply).

## Additional information

The *Tablet User’s Guide* on your Tablet provides more detailed information and troubleshooting advice. You can search the guide to find the information you are looking for.

1. Press the Home button.
2. Select “Tablet User’s Guide”.
3. Tap the chapter name you want to read and it will be opened.





## Limited warranty

This warranty for the Tablet Device is provided by E-Boda Distribution S.R.L. on Str. Oxigenului nr. 2B, com. Cernica, Jud. Ilfov, Romania. The provider of this warranty is sometimes referred to herein as in “we”.

We warrant the Device against the defects in materials and workmanship under ordinary consumer use for two years from the date of original retail purchase. During this warranty period, if a defect arises in the Device, and you follow the instructions returning the Device, we will, at our option and to the extent permitted by law, either (i) repair the Device using either new or refurbished parts, (ii) replace the Device using either new or refurbished parts, or (iii) refund you to all or part of the purchase price of the Device. This limited warranty applies to any repair, replacement part or replacement Device for the remainder of the original warranty period. All replaced parts and Devices for which a refund is given shall become our property. This limited warranty applies only to the hardware components of the Device that are not subject to accident, misuse, neglect, fire or external causes, alterations, repair or commercial use.

**Instructions.** For specific instructions about how to obtain warranty service for your Device, please contact Customer Service using the contact information provided in this guide. In general, you will need to deliver your Device for Warranty service, it is your responsibility to back up any data, software, or other materials you may have stored or preserved on your Device. It is possible that such data, software or other materials will be lost or reformatted during service, and we will not be responsible for any such damage or loss.

### **Environmental requirements:**

- Operating ambient temperature: 0°C to 35°C.
- Storage temperature (turned off): -10°C to 45°C.
- Relative humidity: 5% to 95% noncondensing.

**Temperatures and conditions of use.** Operate the device where the temperature is between 0°C and 35°C. Low or high temperature conditions might temporarily shorten battery life. Store the device where the temperature is between -10°C and 45°C. Don't leave the device in your car, because the temperatures in parked cars can exceed this range.

When using the device or charging the battery, it is normal for it to get warm. The exterior of the device functions as a cooling surface that transfers heat from inside the device to the cooler air outside.

Conditions and activities that may cause the device to alter performance and behavior include:

- Leaving the device in a car on a hot day.
- Leaving the device in direct sunlight for an extended period of time.
- Using certain features in hot conditions or direct sunlight for an extended period of time, such as GPS tracking or navigation in a car, or playing a graphics-intensive game.

### DECLARAȚIE DE CONFORMITATE nr. 1027-EBD

Noi S.C. E-BODA DISTRIBUTION SRL, cu sediul în ILFOV , Comuna Cernica , Strada Oxigenului Nr. 2B cu Certificat de înregistrare la REGISTRUL COMERȚULUI: J 23/1641/2013, Cod Unic de Înregistrare: 16021123, în calitate de importator, asigurăm, garantăm și declarăm pe propria răspundere, conform prevederilor art. 5 din Hotărârea Guvernului nr. 1022/2002, privind regimul produselor și serviciilor care pot pune în pericol viața, sănătatea, securitatea muncii și protecția mediului, că produsul:

**Denumire:** *Tableta PC*

**Model:** *Revo R90*

**Marca:** *E-Boda;*

*Importat din China, în anul 2014.*

La care se referă această declarație nu pune în pericol viața, sănătatea, securitatea muncii, nu produce un impact negativ asupra mediului, respectă cerințele de protecție și este în conformitate cu standardele și normativele menționate mai jos:

- Directiva pentru echipamentele radio și de telecomunicații: R&TTE 199/5/CEE (HG 88/303);
- Directiva privind asigurarea utilizatorilor de echipamente de joasă tensiune 73/32/CEE, modificată de Directiva 93/68/CEE (HG 457/2003);
- Directiva privind compatibilitatea electromagnetică 89/336/CEE, modificată de Directiva 92/31/CEE și 93/68/CEE (HG 497/2003);
- Cerințele de siguranță ale Directivei Europene 2001/95/EC și a standardelor EN 60665:2002/A12:2011 și EN 60950-1:2006/A12:2011, referitoare la nivelul de decibeli emise de aparatele comercializate;
- Declarația de conformitate a producătorului,
- Produsul a fost evaluat conform următoarelor standarde: Sănătate: EN 50360, EN50361, Siguranță: EN 6596-1, EMC EN 301 489-1/-7/-17, Spectru radio: EN 301511, EN 300328;

DOSARUL TEHNIC este disponibil la sediul S.C. E-BODA DISTRIBUTION SRL  
Declarația este întocmită în conformitate cu prevederile Anexei II a HG nr. 88/2003;

București: 26.02.2014

Director General  
Emilia Burcea



## REVO R90 Specifications

### Hardware

CPU	Manufacture		Allwinner Technology Co.,Ltd	
	Model		A31s	
	Type		Cortex A7 Quad Core	
	Architecture		ARM	
	Frequency		1.0 GHz	
	Cache		L1	256 KB
		L2	1MB	
GPU	PowerVR SGX544MP2		Eight Cores 355 MHz	
RAM	DDR 3		1G	
ROM	8GB			
WI-FI	802,11 B/G/N			
3G	**by external dongle			
G-Sensor	4 axis			
Bluetooth	Version		4,0	
	Profile		AVRCP, A2DP, SPP, DUN, OPP	
Display	Type		7,85" IPS LCD	
	Resolution		1024*768	
	Touch		5 independent touch points	
	Structure		P+G	
	Back lighting		LED Technology	
Power	Battery	Capacity	3,7V / 4000mAh	
		Autonomy	***up to 4 hours	
		ST/BY	up to 60 hours	
	Adapter	220V AC/50-60Hz --- 5V DC 2000mA		
Sockets & Connectors	USB micro		Compatible to ver. 2.0	
	HDMI type C		1080p	
	TF Card		Up to 32G	
	Audio output 3,5" jack		Earphones up to 32Ω	
Camera	Front		VGA, 0,3M, 640x480px	
	Back		UXGA, 2M, 1600x1200px	

\* The device performance depends on user installed applications.

\*\* Not every 3G Dongle can be recognized by this device. Please consider the list on the official website.

\*\*\* The battery lasting depends on the user settings, usage and charge cycle.

### Software

OS	Android™ 4.2
Search engine	Pre - installed
Video support	

	AVI (H.264, DIVX, DIVX, XVID, rm, rmvb, MKV (H.264, DIVX, DIVX, XVID), WMV, MOV, MP4 (H.264, MPEG, DIVX, XVID), MPEG, MPG, FLV (H.263, H.264)
<b>Audio support</b>	MP3,WMA,MP2,OGG,AAC,M4A,MA4,FLAC,APE,3GP,WAV
<b>Photo support</b>	JPEG,GIF,PNG,BMP
<b>Office file support</b>	DOC/XLS/PPT/PDF/TXT
<b>Game support</b>	OpenGL ES2.0 Open CL1.x,DX9_3
<b>E-mail</b>	Exchange, IMAP, POP3, SMTP



**CE** marking is a mandatory conformity mark for products placed on the market in the European Economic Area. **CE** Marking on a product ensures that the product complies with the essential requirements of the applicable **EC** directives.



This product is marked with distinctive selective sorting electronic waste. This symbol indicates that the product should be supported by a system of selective collection of waste according to EU Directive 2002/96/EC, so that it can be recycled or dismantled to minimize environmental impact.

**Attention!** Electronic products unsorted selectively affect the environment and human health, as they may contain hazardous substances.

## **BATTERIES:**

### **Attention!**

It is forbidden to throw batteries in the trash. Dispose of used batteries recycling centers.

Incorrect use of batteries may cause leakage or corrosion.

Do not install batteries in the wrong direction.

It is dangerous to charge / strike / open or short-circuit the batteries.

Do not leave used batteries in the product.

If you do not use the product longer, remove the batteries. Change the batteries when the clock is not working properly.

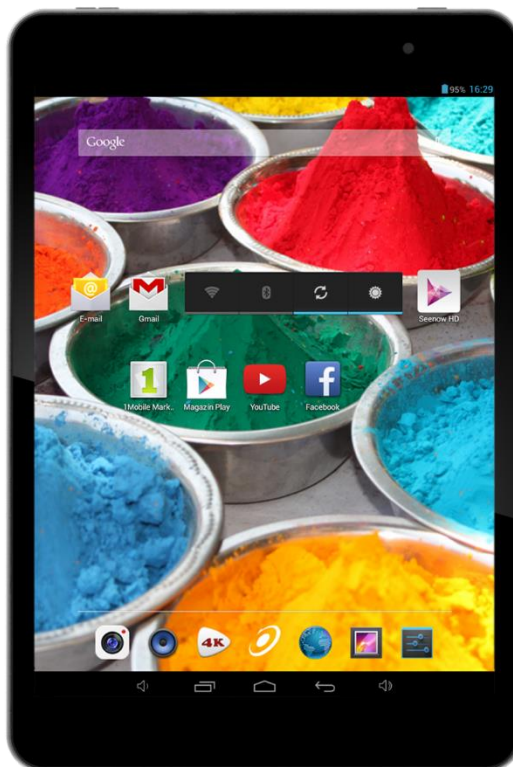
If you spill battery fluid inside the product clean and replace the batteries.

The batteries contained in the package does not contain heavy metals.



**ROHS** (Restriction on Hazardous Substances). This directive is a regulation that was implemented on **July 1, 2006** and relates to restrictions on the marketing of products and electrical and electronic equipment containing hazardous substances such as lead, hexavalent chromium, cadmium, polibromatul biphenyl (PBB), diphenyl ethers polibromuratiat (PBDE).

## Computer Tableta Revo R90



## Ghid de pornire rapida



## ATENȚIE

RISC DE ELECTROCUTARE  
A NU SE DESCHIDE



**A NU SE DESCHIDE CAPACUL PENTRU A PREVENI RISCUL UNUI ȘOC ELECTRIC.**

**NU SUNT INCLUSE PIESE CARE POT FI DEPARATE DE CĂTRE UTILIZATOR.**

**ADRESAȚI-VĂ PERSONALULUI CALIFICAT PENTRU SERVICE.**



Simbolul cu fulger cu vârf de săgeată, încadrat într-un triunghi echilateral, are scopul de a alerta utilizatorul cu privire la prezența unei tensiuni periculoase neizolate în interiorul produsului care pot fi de o valoare suficientă pentru a constitui un risc de electrocutare.



Punctul de exclamație din interiorul triunghiului echilateral are rolul de a alerta utilizatorul despre prezența instrucțiunilor de utilizare și de întreținere (service) în literatura care însoțește aparatul.

**AVERTIZARE:** PENTRU A PREVENI PERICOLUL DE INCENDIU SAU DE ELECTROCUTARE,  
NU EXPUNEȚI UNITATEA LA PLOAIE SAU UMEZEALĂ.

**ATENȚIE:** PENTRU A PREVENI RISCUL DE ȘOC ELECTRIC, ASIGURAȚI-VĂ CĂ  
ȘTECHERUL ESTE INTRODUS ÎN PRIZA PRINCIPALĂ.

## MĂSURI IMPORTANTE DE PROTECȚIE



Toate produsele fără plumb oferite de companie sunt în conformitate cu cerințele din Directiva Legii Europene privind Restricția Substanțelor Periculoase (RoHS), ceea ce înseamnă că procesele noastre de producție și produsele sunt strict "fără plumb" și fără substanțele periculoase menționate în directivă.



Semnul tăiat de pe recipientul pentru deșuri simbolizează că în cadrul Uniunii Europene, produsul trebuie reciclat separat la sfârșitul duratei de viață a produsului. Acest lucru se aplică produsului dvs. și oricăror periferice marcate cu acest simbol. Nu aruncați aceste produse ca deșuri municipale nesortate. Contactați dealerul dvs. local pentru procedurile de reciclare pentru acest echipament.

## PRECIZĂRI LEGALE

Ne rezervăm dreptul de a modifica sau elimina orice conținut din acest manual în orice moment. Nu garantăm și nu ne asumăm nicio răspundere juridică sau responsabilitate pentru acuratețea, completitudinea sau utilitatea acestui manual. Conținutul acestui manual se poate modifica fără notificare prealabilă.

Capturile de ecran sunt prezentate doar în scop ilustrativ și nu pot fi reprezentative pentru produsul real.

## RECOMANDĂRI

- **A SE EVITA LOCAȚIILE PRĂFOASE:** Acumularea excesivă de praf poate cauza nefuncționarea unității
- **A NU SE EXPUNE LA UMEZEALĂ:** Expunerea unității la apă prezintă un risc ridicat de electrocutare.
- **A NU SE SCĂPA PRODUSUL:** Scăparea produsului ar putea defecta componentele interne.
- **A NU SE DESCHIDE CARCASA:** În interior nu sunt piese care pot fi deparate de către utilizator.

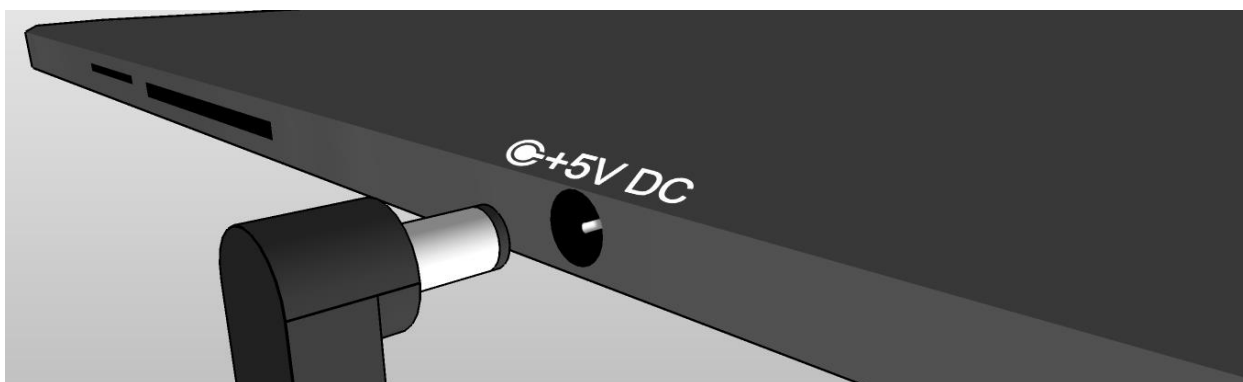
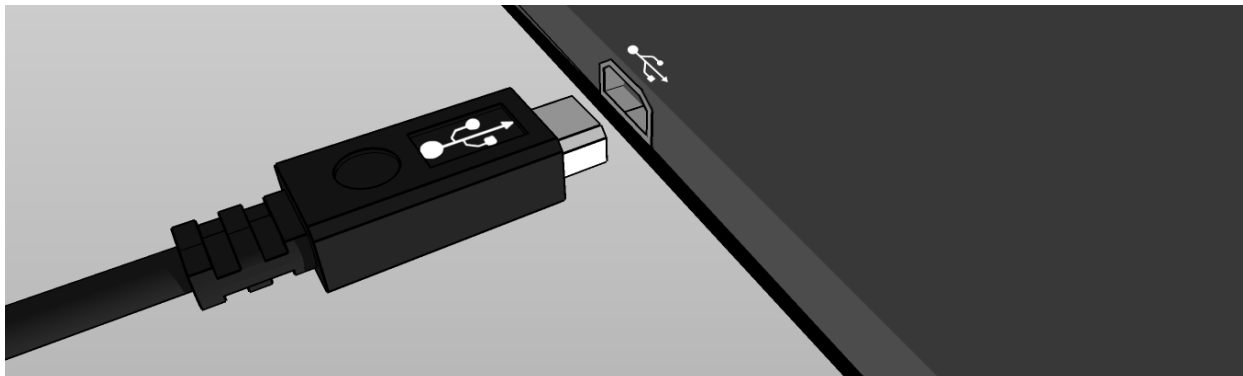
## MENȚIONĂRI MARCĂ COMERCIALĂ

- Android™ este marcă comercială Google.
- Microsoft™ și Windows™ sunt mărci înregistrate ale Microsoft Corporation.
- Drepturile de autor © ale tuturor aplicațiilor aparțin de proprietarii acestora.



## Pornire

**1.** Incarcati Tableta prin introducerea incarcatorului in priza si conectarea mufei de incarcare in portul de incarcare/portul USB al tabletei. De asemenea tableta dvs. se poate incarca si transfera date prin conectarea la portul USB al unui computer.



**2.** O iconita de incarcare (🔋) in centrul ecranului Tabletei indica incarcarea. Cand acumulatorul este incarcata complet, indicatorul se va umple complet.

*Sfat: Puteti folosi tableta in timp ce se incarca.*

**3.** Porniti tableta prin apasarea butonului de pornire timp de maxim 5 secunde. Dupa ce porneste, puteti deschide ghidul utilizatorului ("User's Guide") prezent pe ecranul de pornire pentru a va familiariza cu produsul.




## Familiarizare

ITEM	INFO
1 - DISPLAY	Ecranul tabletei
2 - CAMERA	Camera frontala
3 - VOLUM +	Mareste volumul audio
3 - VOLUM -	Micsoreaza volumul audio
4 - PORT USB	Conectare la computer/Incarcare acumulator
5 - MINI HDMI	Port conectare TV prin Mini HDMI
6 - MICROFON	Folosit pentru inregistrare sunet
7 - JACK 3.5mm	Port de intrare/iesire sunet
8 - PORT MICRO SD	Introduceti card Micro SD pentru extinderea memoriei
9 - POWER	Buton de pornire/oprire
10 - BUTON RESET	Reseteaza tableta
11 - CAMERA	Camera spate
12 - MENU APLICATII	Deschide meniul in care sunt afisate toate aplicatiile
13 - INAPOI	Revenire la ecranul anterior

## Conectare

### **Toate tabletele au conectivitate Wi-Fi incorporata si unele modele includ conectivitate 3G**

*Sfat: Pentru a verifica daca aveti o tableta cu Wi-Fi sau cu Wi-Fi si 3G apasati butonul de meniu aplicatii si alegeti "Setari". Din lista cu setari selectati "Despre tableta", dupa care alegeti "Stare". Daca in lista deschisa scrie "Status SIM", atunci aveti o tableta 3G, altfel are decat conectivitate Wi-Fi.*

Daca tableta dvs. include conectivitate 3G, ar trebui sa verificati setarile retelei mobile: in setari deschideti meniul "Mai multe..." din categoria "Wireless si retele", dupa care selectati "Rețele mobile", "Numele punctelor de acces" si adaugati setarile APN. Acestea pot fi gasite pe websiteul nostru sau pe cel al operatorului de retea al cartelei folosite. Daca apar bari solide in indicatorul de status al retelei (  ) in coltul din dreapta sus al tabletei, atunci e deja conectata la internet.

Daca tableta dvs. are decat Wi-Fi sau doriti sa conectati tableta 3G la o retea Wi-Fi, urmariti pasii de mai jos:

1. Apasati butonul "Home", dupa care butonul "Meniu aplicatii".
2. Selectati "Setari" din lista deschisa.
3. Alegeti "Wi-Fi", trageți de bara gri spre dreapta si se va face albastra, dupa care vor fi afisate rețelele disponibile.
4. Selectati o retea Wi-Fi publica sau privata. Rețelele private au un lacat langa iconita de semnal si necesita introducerea unei parole.

## Inregistrare

Va puteti inregistra cu usurinta tableta la un cont Gmail urmarind pasii de mai jos:

1. Intrati in "Setari".
2. Sub categoria "Conturi" selectati "Adaugati un cont".
3. Alegeti "Google" din lista deschisa.
4. Daca nu aveti deja un con, selectati "Nou". Daca deja aveti un cont, cititi pasul 9 din aceasta lista.
5. Introduceti prenumele si numele in campurile de text, dupa care atingeti sageata din dreapta.



**6.** S-a deschis meniul "Alegeti un nume de utilizator". Scrieti numele dorit in campul pentru text si continuati. Daca numele de utilizator nu este disponibil puteti incerca altul si chiar alege dintr-o lista de sugestii. Dupa alegerea unui nume de utilizator atingeti sageata din dreapta.

**7.** Creati o parola pentru cont si rescrieti parola in al doilea camp. Apasati sageata din dreapta pentru a continua.

**8.** Adaugati informatii de recuperare pentru cont: o intrebare de securitate si o adresa de mail pentru recuperare.

**9.** Daca nu ati conectat deja contul la reseaua de socializare "Google+" il puteti conecta acum.

**10.** Daca nu ati conectat un card la "Google Wallet", un serviciu bancar oferit de Google o puteti face acum. Puteti sari peste acest pas din moment ce nu este obligatoriu.

**11.** In meniul de "Copie de rezerva" puteti alege sa pastrati o copie de rezerva a datelor din tableta in contul Google. Apasati sageata din dreapta pentru a continua. Acesta este ultimul pas in conectarea la contul Google.

*Sfat: Pentru a instala aplicatii noi, deschideti Meniul de Aplicatii si selectati "Magazin Play". Acolo puteti scrie in bara de cautare numele aplicatiei dorite sau puteti instala din sugestiile oferite de magazin.*

## Contact

Pentru intrebari, probleme si nevoie de ajutor cu Tableta dvs. puteti contacta Serviciul Clienti E-Boda in modurile mentionate mai jos:

Online: [www.e-boda.ro/e-boda-service-center](http://www.e-boda.ro/e-boda-service-center)

E-mail: [support@e-boda.ro](mailto:support@e-boda.ro)

Telefon: 031.4253.775 - Mobil: 0724.282.258 (taxa normala).

## Informatii aditionale

*User's Guide* de pe ecranul de Home al tabletei dvs. va poate oferi mai multe detalii despre utilizarea acesteia. Puteti folosi ghidul de cautare pentru a gasi informatiile dorite.

**1.** Apasati butonul Home.

**2.** Selectati "User Guide".

**3.** Selectati capitolul dorit prin atingerea titlului din lista si se va deschide automat.



## Garantie limitata

Garantia tabletei este oferita de E-Boda Distribution S.R.L, la adresa Strada Oxigenului nr. 2B, com. Cernica, Jud. Ilfov, Romania. In acest ghid se va face uneori referinta la furnizorul acestei garantii folosind forumula "noi".

Oferim garantie acestui aparat pentru defectele in material si mana de lucru pentru utilizare normala timp de doi ani de la data originala a cumpararii. In aceasta perioada de garantie daca apare un defect si urmariti instructiunile de trimitere in garantie, noi vom, la optiunea noastra si urmarind limitele impuse de lege, (i) repara tableta folosind parti noi sau resigilate, (ii) inlocui tableta folosind parti noi sau resigilate, sau (iii) returnarea totala sau partiala a contravalorii tabletei. Aceasta garantie se aplica oricarei reparatii, inlocuire a unei parti sau complete a tabletei pentru perioada in care aceasta este in garantie. Tableta sau partile pe care a fost returnata contravaloarea vor deveni proprietatea noastra. Aceasta garantie se aplica doar pe componentele hardware ale tabletei care nu sunt supuse la accidente, utilizare gresita, neglijare, foc sau cauze externe, alterari, reparatii neautorizate sau uz comercial.

**Instructiuni.** Pentru instructiuni specific de obtinere a serviciului de garantie pentru tableta dvs., va rugam sa contactati serviciul clienti utilizand informatiile de contact furnizate de acest ghid. In general dvs. va trebui sa livrati produsul pentru service in garantie. De asemenea, este responsabilitatea dvs. sa salvati orice date, software sau alte material stocate pe tableta. Este posibil ca asemenea date, software sau alte materiale sa fie pierdute sau reformatate in perioada in care sta in service si nu suntem responsabili pentru asemenea pierderi.

### **Factori de mediu:**

- Temperatura ambientala de operare: de la 0°C la 35°C.
- Temperatura de stocare (device oprit): de la -10°C la 45°C.
- Umiditate relativa: de la 5% la 95% fara condens.

**Temperaturi si conditii de utilizare.** Folositi tableta unde temperatura este intre 0°C si 35°C. Temperaturi scazute sau ridicate pot scurta temporar durata vietii bateriei. Stocati produsul unde temperature este intre -10°C si 45°C. Nu lasati produsul in masina pentru ca temperatura in masinile parcate poate depasi aceste valori.

Tableta se poate incalzi in timpul utilizarii sau incarcarii bateriei, acest lucru este normal. Exteriorul produsului functioneaza ca o suprafata de racire care transfera caldura din interior spre aerul mai rece din exterior.

Conditii si activitati ce pot altera performanta si comportamentul tabletei:

- Plasarea in masina intr-o zi caniculara.
- Plasarea in lumina directa a soarelui pentru o perioada extinsa de timp.
- Folosirea anumitor functii in conditii ridicate de caldura sau in lumina directa a soarelui pentru o perioada indelungata de timp, cum ar fi utilizarea functiei GPS, navigarea in masina sau jocuri cu grafica intensiva.

**DECLARAȚIE DE CONFORMITATE nr. 1027-EBD**

Noi S.C. E-BODA DISTRIBUTION SRL, cu sediul în ILFOV , Comuna Cernica , Strada Oxigenului Nr. 2B cu Certificat de înregistrare la REGISTRUL COMERȚULUI: J 23/1641/2013, Cod Unic de Înregistrare: 16021123, în calitate de importator, asigurăm, garantăm și declarăm pe propria răspundere, conform prevederilor art. 5 din Hotărârea Guvernului nr. 1022/2002, privind regimul produselor și serviciilor care pot pune în pericol viața, sănătatea, securitatea muncii și protecția mediului, că produsul:

**Denumire:** *Tableta PC*

**Model:** *Revo R90*

**Marca:** *E-Boda;*

*Importat din China, în anul 2014.*

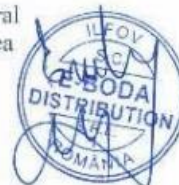
La care se referă această declarație nu pune în pericol viața, sănătatea, securitatea muncii, nu produce un impact negativ asupra mediului, respectă cerințele de protecție și este în conformitate cu standardele și normativele menționate mai jos:

- Directiva pentru echipamentele radio și de telecomunicații: R&TTE 199/5/CEE (HG 88/303);
- Directiva privind asigurarea utilizatorilor de echipamente de joasă tensiune 73/32/CEE, modificată de Directiva 93/68/CEE (HG 457/2003);
- Directiva privind compatibilitatea electromagnetică 89/336/CEE, modificată de Directiva 92/31/CEE și 93/68/CEE (HG497/2003);
- Cerințele de siguranță ale Directivei Europene 2001/95/EC și a standardelor EN 60065:2002/A12:2011 și EN 60950-1:2006/A12:2011, referitoare la nivelul de decibeli emise de aparatele comercializate;
- Declarația de conformitate a producătorului,
- Produsul a fost evaluat conform următoarelor standarde: Sănătate: EN 50360, EN50361, Siguranță: EN 6596-1, EMC EN 301 489-1/-7/-17, Spectru radio: EN 301511, EN 300328;

DOSARUL TEHNIC este disponibil la sediul S.C. E-BODA DISTRIBUTION SRL  
Declarația este întocmită în conformitate cu prevederile Anexei II a HG nr. 88/2003;

București: 26.02.2014

Director General  
Emilia Burcea



## REVO R90 Specifications

### Hardware

CPU	Manufacture		Allwinner Technology Co.,Ltd	
	Model		A31s	
	Type		Cortex A7 Quad Core	
	Architecture		ARM	
	Frequency		1.0 GHz	
	Cache		L1	256 KB
		L2	1MB	
GPU	PowerVR SGX544MP2		Eight Cores 355 MHz	
RAM	DDR 3		1G	
ROM	8GB			
WI-FI	802,11 B/G/N			
3G	**by external dongle			
G-Sensor	4 axis			
Bluetooth	Version		4,0	
	Profile		AVRCP, A2DP, SPP, DUN, OPP	
Display	Type		7,85" IPS LCD	
	Resolution		1024*768	
	Touch		5 independent touch points	
	Structure		P+G	
	Back lighting		LED Technology	
Power	Battery	Capacity	3,7V / 4000mAh	
		Autonomy	***up to 4 hours	
		ST/BY	up to 60 hours	
	Adapter	220V AC/50-60Hz --- 5V DC 2000mA		
Sockets & Connectors	USB micro		Compatible to ver. 2.0	
	HDMI type C		1080p	
	TF Card		Up to 32G	
	Audio output 3,5" jack		Earphones up to 32Ω	
Camera	Front		VGA, 0,3M, 640x480px	
	Back		UXGA, 2M, 1600x1200px	

\* The device performance depends on user installed applications.

\*\* Not every 3G Dongle can be recognized by this device. Please consider the list on the official website.

\*\*\* The battery lasting depends on the user settings, usage and charge cycle.

### Software

OS	Android™ 4.2
Search engine	Pre - installed
Video support	

	AVI (H.264, DIVX, DIVX, XVID, rm, rmvb, MKV (H.264, DIVX, DIVX, XVID), WMV, MOV, MP4 (H.264, MPEG, DIVX, XVID), MPEG, MPG, FLV (H.263, H.264)
<b>Audio support</b>	MP3,WMA,MP2,OGG,AAC,M4A,MA4,FLAC,APE,3GP,WAV
<b>Photo support</b>	JPEG,GIF,PNG,BMP
<b>Office file support</b>	DOC/XLS/PPT/PDF/TXT
<b>Game support</b>	OpenGL ES2.0 Open CL1.x,DX9_3
<b>E-mail</b>	Exchange, IMAP, POP3, SMTP



Marcajul **CE** este o marcă de conformitate obligatorie pentru produsele introduse pe piață în Spațiul Economic European. Marcajul **CE** pe un produs garantează că produsul este conform cu cerințele esențiale ale directivelor **CE** aplicabile.



Acest produs este marcat cu simbolul distinctiv de sortare selectivă pentru deșuri electrice și electronice. Acest simbol indică faptul că produsul trebuie acceptat de un sistem de colectare selectivă a deșeurilor, în acord cu directiva EU 2002/96/CE, astfel încât să poată fi reciclat sau dezasamblat pentru a reduce impactul asupra mediului.

**Atentie!** Produsele electronice, nesortate selectiv, pot afecta mediul și sănătatea oamenilor, deoarece pot conține substanțe periculoase.

### **BATERIILE:**

#### **Atentie!**

Este interzisă aruncarea bateriilor la gunoi. Predați bateriile uzate centrelor de reciclare.

Folosirea incorectă a bateriilor poate cauza scurgeri sau coroziune.

Nu montați bateriile în direcția greșită.

Este periculos să încărcați/ loviți/ deschideți sau scurt-circuitați bateriile.

Nu lasați bateriile consumate în produs.

Daca nu folosiți produsul mai mult timp, scoateți bateriile. Schimbați bateriile când ceasul nu mai funcționează corespunzător.

Daca s-a produs scurgerea bateriilor în interiorul produsului curățați lichidul și înlocuiți bateriile.

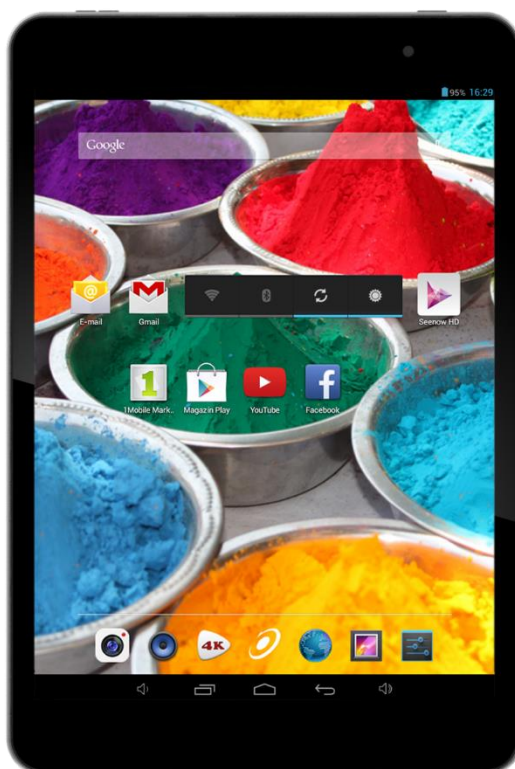
Bateriile conținute în pachet nu conțin metale grele.





**ROHS** (Restriction on Hazardous Substances). Această directivă este un regulament care a fost implementată în data de **01 Iulie 2006** și se referă la restricționarea comercializării de produse și echipamente electrice și electronice ce conțin substanțe periculoase cum ar fi plumbul, crom hexavalent, cadmiul, polibromatul bifenil (PBB), eteri difenil polibromuratiat (PBDE).

## Таблет Revo R90



## Ръководство за бързо стартиране

**Предупреждение!****Риск от токов удар!  
Не отваряйте!****ДА НЕ СЕ ОТВАРЯ КАПАКА ЗА ПРЕДОТВРАТЯВАНЕ НА РИСКА ОТ ТОКОВ УДАР.****НЕ СА ВКЛЮЧЕНИ ЧАСТИ, КОИТО МОГАТ ДА БЪДАТ ОТРЕМОНТИРАНИ ОТ  
ПОТРЕБИТЕЛЯ.****ОБЪРНЕТЕ СЕ КЪМ КВАЛИФИЦИРАН ПЕРСОНАЛ ЗА СЕРВИЗНО ОБСЛУЖВАНЕ.**

Символът светкавица със стрелка, вграден в равностраничен триъгълник, е предназначен да предупреди потребителя за наличието на неизолувано опасно напрежение във вътрешната част на продукта, което може да е достатъчно силно за да представлява риск от злополука с електрически ток.



Удивителният знак от вътрешността на равностраничния триъгълник е предназначен да предупреждава потребителя за наличието на инструкции за използване и поддръжка (сервизно обслужване) в документацията, която придружава уреда.

**ПРЕДУПРЕЖДЕНИЕ: ЗА ПРЕДОТВРАТЯВАНЕ НА ОПАСНОСТТА ОТ ПОЖАР ИЛИ  
ЗЛОПОЛУКА С ЕЛЕКТРИЧЕСКИ ТОК, НЕ ИЗЛАГАЙТЕ  
УСТРОЙСТВОТО НА ДЪЖД ИЛИ ВЛАГА.****ВНИМАНИЕ: ЗА ПРЕДОТВРАТЯВАНЕ НА РИСКА ОТ ТОКОВ УДАР, УВЕРЕТЕ  
СЕ, ЧЕ ЩЕПСЕЛЪТ Е ВКАРАН В СТЕННИЯ КОНТАКТ.**

## ВАЖНИ МЕРКИ ЗА ЗАЩИТА



Всички безоловни продукти, предлагани от компанията, са в съответствие с изискванията на Европейската Директива за ограничаване на опасните вещества (RoHS), което означава, че нашите производствени процеси и продуктите са изцяло безоловни и не съдържат опасните вещества, упоменати в директивата.

Знакът със зачеркнатия контейнер за отпадъци символизира, че на територията на Европейския съюз продуктът трябва да се рециклира разделно в края на живота на продукта. Това се отнася за Вашия продукт и за всички периферни устройства, маркирани с този символ. Не изхвърляйте тези продукти като битови отпадъци. Свържете се с

Вашия местен дилър относно процедурите за рециклиране на това оборудване.

### ЗАКОНОВИ УТОЧНЕНИЯ

Запазваме си правото да променяме или премахваме всяко съдържание на този наръчник по всяко време. Не гарантираме и не поемаме никаква юридическа отговорност или задължение за точността, пълнотата или полезността на този наръчник. Съдържанието на този наръчник може да се промени без предварително уведомяване.

Снимките от екрана са представени само с илюстративна цел и не могат да бъдат представителни за действителния продукт.

### ПРЕПОРЪКИ

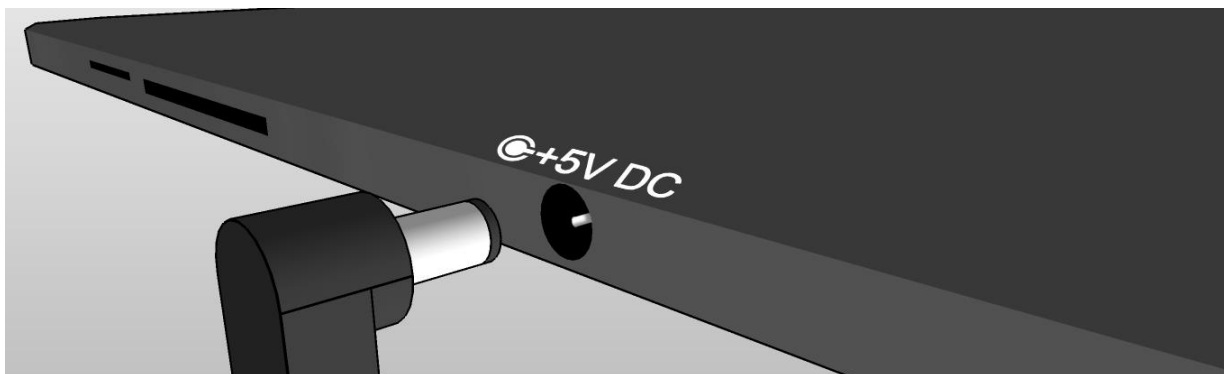
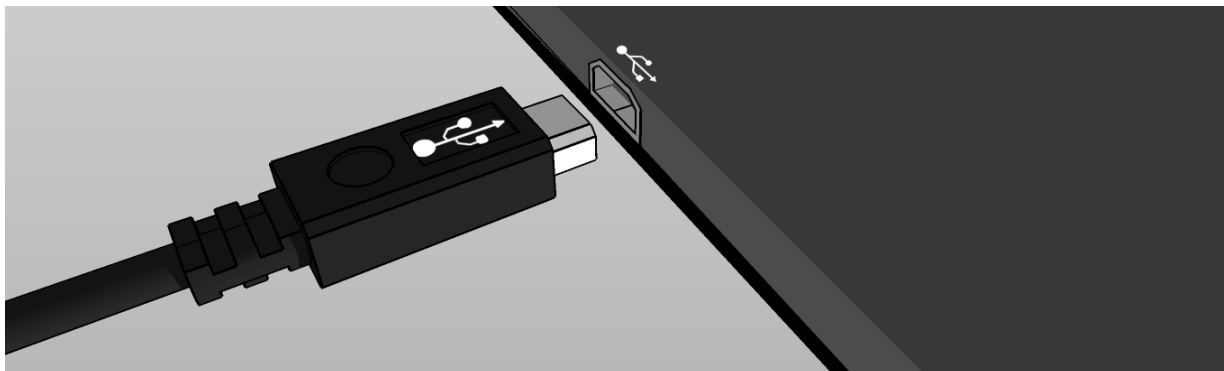
- **ДА СЕ ИЗБЯГВАТ ПРАШНИТЕ МЕСТА:** Прекомерното натрупване на прах може да причини неработоспособност на устройството.
- **ДА НЕ СЕ ИЗЛАГА НА ВЛАГА:** Излагането на устройството на вода представлява висок риск за злополука с електрически ток.
- **ДА НЕ СЕ ИЗПУСКА ПРОДУКТА:** Изпускането на продукта може да повреди вътрешните части.
- **ДА НЕ СЕ ОТВАРЯ КОРПУСА НА ПРОДУКТА:** Във вътрешната част на продукта няма части, които могат да бъдат отремонтирани от потребителя.

### СПОМЕНАВАНЕ НА ТЪРГОВСКИ МАРКИ

- Android™ е търговска марка на Google.
- Microsoft™ и Windows™ са търговски марки на Microsoft Corporation.
- Авторските права © на всички приложения принадлежат на техните собственици.

## Включване

**1.** Заредете таблета чрез включване в контакта на зареждащото устройство и свързване на муфата за зареждане към порта за зареждане / USB порта на таблета. Също така Вашият таблет може да се зарежда и могат да бъдат прехвърлени данни чрез свързване към USB порт на компютър.



**2.** Малка икона за зареждане (🔋) в центъра на екрана на таблета показва зареждането. Когато акумулаторната батерия е напълно заредена, показателят ще се запълни изцяло.

*Съвет: Можете да използвате таблета докато се зарежда.*

**3.** Включете таблета чрез натискане на бутона за включване, задържайки най-много 5 секунди. След като се включи, можете да отворите ръководството на потребителя ("User's Guide"), намиращ се на първоначалния екран за да свикнете с продукта.



## Свикване с продукта

### ИЗДЕЛИЕ

- 1 - ЕКРАН
- 2 - КАМЕРА
- 3 - СИЛА НА ЗВУК +
- 3 - СИЛА НА ЗВУК -
- 4 - USB ПОРТ
- 5 - MINI HDMI
- 6 - МИКРОФОН
- 7 - АУДИО ЖАК 3.5 мм
- 8 - MICRO SD ПОРТ
- 9 - ВКЛЮЧВАНЕ
- 10 - БУТОН ЗА РЕСЕТИРАНЕ
- 11 - КАМЕРА
- 12 - МЕНЮ ПРИЛОЖЕНИЯ
- 13 - НАЗАД
- 14 - ПЪРВОНАЧАЛЕН ЕКРАН
- 15 - ОТВОРЕНИ ПРИЛОЖЕНИЯ


### ИНФОРМАЦИЯ

- Екран на таблета
- Предна камера
- Увеличава силата на звука
- Намалява силата на звука
- Свързване към компютър / Зареждане на акумулаторна батерия
- Mini HDMI порт за свързване към телевизор
- Използван за записване на звук
- Порт за вход / изход на звук
- Поставете Micro SD карта за да увеличите паметта
- Бутон за включване / изключване
- Ресетира таблета
- задна камера
- Отваря менюто, където са показани всички приложения
- Връщане към предходния екран
- Лична страница
- Показва отворените приложения, дръпнете приложение наляво или надясно докато изчезне от екрана за да го затворите.

## Свързване

**Всички планшети имат вградена безжична връзка (Wi-Fi), а някои модели включват и 3G свързаност**

*Съвет: За да проверите дали имате таблет само с Wi-Fi или с Wi-Fi и 3G натиснете бутона "Меню приложения" и изберете "Настройки" (Settings). От списъка с настройки изберете "За планшета" (About Tablet), след което изберете "Състояние" (Status). В случай, че намерите елемента "Състояние на СИМ карта" (SIM Status) в отворения списък, означава, че имате 3G устройство, в противен случай имате устройство само с Wi-Fi.*

Ако Вашият таблет включва 3G свързаност, трябва да проверите настройките на мрежата: в настройки отворете меню "Повече..." (More...) от категория "Wi-Fi и GSM мрежи" (Wireless and networks), след което изберете "GSM мрежи" (Mobile networks), "Имена на точките за достъп" (Access Point Names) и добавете APN настройките. Те могат да бъдат намерени на нашия интернет сайт или на този на мрежовия оператор на използваната СИМ карта. Ако се появят вертикални лентички на показателя за състоянието на мрежата (  ) в горния десен ъгъл на планшета, тогава таблетът е вече свързан към интернет.

Ако Вашият таблет има само Wi-Fi или желаете да свържете 3G таблет към безжична мрежа (Wi-Fi), следвайте тези стъпки:

1. Натиснете бутона "Home", след което бутона "Меню приложения".
2. Изберете "Настройки" (Settings) от отворения списък.
3. Изберете "Wi-Fi", плъзнете сивата лента надясно и тя ще стане синя, след което ще бъдат показани достъпните мрежи.
4. Изберете отворена или криптирана безжична мрежа. Криптираните мрежи имат катинарче до малката икона за сигнал и изискват въвеждане на парола.

## Регистриране

Можете лесно да регистрирате планшета към Gmail акаунт, като следвате тези стъпки:

1. Влезте в "Настройки" (Settings).
2. Под категория "Акаунти" (Accounts) изберете "Добавете акаунт" (Add account).
3. Изберете "Google" от отворения списък.
4. Ако още нямате акаунт, изберете "Нов" (New). Ако вече имате акаунт, преминете към стъпка 9 от този списък.
5. Въведете собствено и фамилно име в текстовите полета, след което натиснете стрелката от дясно.



6. Отворено е меню "Изберете име на потребител" (Choose username). Наберете желаното име в полето за текст и продължете. Ако името на потребителя е вече избрано, можете да опитате друго и имате даже възможност да изберете от списък с препоръки. След избирането на име на потребител натиснете стрелката от дясно.
7. Създайте парола за акаунта и повторете паролата във второто поле. Натиснете стрелката от дясно за да продължите.
8. Добавете информация за възстановяване на акаунта: въпрос за безопасност и адрес за електронна поща за възстановяване.
9. Ако все още не сте свързали акаунта към социалната мрежа "Google+" можете да го свържете сега.
10. Ако не сте свързали карта към "Google Wallet", банкова услуга, предоставена от Google, можете да го направите сега. Можете да пропуснете тази стъпка, след като не е задължителна.
11. В меню "Резервно копие" (Backup) можете да изберете да запазите резервно копие на данните от таблета в Google акаунта. Натиснете стрелката от дясно за да продължите. Тази е последната стъпка за свързване към Google акаунта.

*Съвет: За да инсталирате нови приложения, отворете Меню Приложения и изберете "Включване на виртуален магазин" (Google Play Store). Там, в лентата за търсене, можете да въведете името на желаното приложение или можете да инсталирате от препоръките, предоставени от виртуалния магазин.*

## Контакти

За въпроси, проблеми и помощ можете да се свържете с Центъра за обслужване на клиенти E-Boda по начините, описани по-долу:

Онлайн: [www.e-boda.ro/e-boda-service-center](http://www.e-boda.ro/e-boda-service-center)

Електронна поща: [support@e-boda.ro](mailto:support@e-boda.ro)

Телефон: 031.4253.775 - Мобилен: 0724.282.258 (без добавена стойност).





## Допълнителна информация

Ръководството на потребителя (*User's Guide*), от първоначалния екран (Home) на Вашия таблет, може да Ви предостави повече подробности за използването му. Можете да използвате търсачка за да намерите желаната информация.

1. Натиснете бутона Home.
2. Изберете "User Guide".
3. Изберете желания раздел чрез натискане на заглавието от списъка и ще се отвори автоматично.

## Ограничена гаранция

Гаранцията на таблета е предоставена от *E-Boda Distribution S.R.L.*, на адрес: улица Оксидженулуй № 2В, с. Черника, Окръг Илфов, Румъния. В това ръководството ще бъде упоменат доставчика на тази гаранция, като се използва термина "ние".

Предоставяме гаранция на този уред за дефекти в материалите и изработката при нормална употреба за срок от две години от датата на първоначалната покупка. През този гаранционен срок ако се появи дефект и следвате инструкциите за ползване на гаранция, по наша преценка и спазвайки ограниченията, наложени от закона, ще (i) ремонтираме таблета, използвайки нови части или повторно запечатани, ще (ii) подменим таблета, използвайки нови части или повторно запечатани, или ще (iii) възстановим цялостно или частично равностойността на таблета. Тази гаранция се прилага за всеки ремонт, частична или цялостна подмяна на таблета за периода, в който изделието се намира в гаранция. Таблетът или частите, за които е възстановена равностойността, ще станат наша собственост. Тази гаранция се прилага само за хардуерните части на таблета, които не са подложени на произшествия, погрешно използване, небрежност, огън или външни причини, увреждания, неоторизирани ремонти или търговска употреба.

**Инструкции:** За специфични инструкции, относно ползването на гаранционен сервиз за Вашия таблет, В молим да се свържете с центъра за обслужване на клиенти, като използвате информацията за контакти, предоставена в това ръководство. Обикновено Вие трябва да доставите продукта в гаранционния сервиз. Също така Ваша е отговорността за запазване на всякакви данни, софтуер или друга информация, които се съхраняват на таблета. Възможно е тези данни, софтуерни програми или информация да се загубят за периода, в който се намира в сервиза и ние не поемаме отговорност за такива загуби.

### Фактори на околната среда:

- Околна температура за ползване: от 0°C до 35°C.
- Температура за съхранение (при изключен уред): от -10°C до 45°C.
- Относителна влажност: от 5% до 95% без конденз.



**Температури и условия за използване.** Използвайте таблета където температурата е между 0°C и 35°C. Ниските или високите температури могат временно да съкратят живота на акумулаторната батерия. Съхранявайте продукта там, където температурата е между -10°C и 45°C. Не оставяйте продукта в автомобил, защото температурата в паркираните автомобили може да надвишава тези стойности.

Таблетът може да загрее по време на използване или зареждане на акумулаторната батерия, това нещо е нормално. Външната част на продукта служи като охлаждаща повърхност, която прехвърля топлината от вътре към по-студения въздух от вън.

Условия и дейности, които могат да влошат постиженията и поведението на таблета:

- Поставяне в автомобил при висока температура на околната среда.
- Поставяне при пряка слънчева светлина за дълъг период от време.
- Използване на определени функции при висока температура или пряка слънчева светлина за дълъг период от време, като използването на функция GPS, навигация в автомобил или на игри с интензивна графика.

**DECLARAȚIE DE CONFORMITATE nr. 1027-EBD**

Noi S.C. E-BODA DISTRIBUTION SRL, cu sediul în ILFOV , Comuna Cernica , Strada Oxigenului Nr. 2B cu Certificat de înregistrare la REGISTRUL COMERȚULUI: J 23/1641/2013, Cod Unic de Înregistrare: 16021123, în calitate de importator, asigurăm, garantăm și declarăm pe propria răspundere, conform prevederilor art. 5 din Hotărârea Guvernului nr. 1022/2002, privind regimul produselor și serviciilor care pot pune în pericol viața, sănătatea, securitatea muncii și protecția mediului, că produsul:

**Denumire:** *Tableta PC*

**Model:** *Revo R90*

**Marca:** *E-Boda;*

*Importat din China, în anul 2014,*

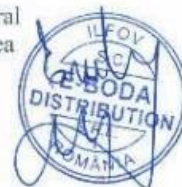
La care se referă această declarație nu pune în pericol viața, sănătatea, securitatea muncii, nu produce un impact negativ asupra mediului, respectă cerințele de protecție și este în conformitate cu standardele și normativele menționate mai jos:

- Directiva pentru echipamentele radio și de telecomunicații: R&TTE 199/5/CEE (HG 88/303);
- Directiva privind asigurarea utilizatorilor de echipamente de joasă tensiune 73/32/CEE, modificată de Directiva 93/68/CEE (HG 457/2003);
- Directiva privind compatibilitatea electromagnetică 89/336/CEE, modificată de Directiva 92/31/CEE și 93/68/CEE (HG 497/2003);
- Cerințele de siguranță ale Directivei Europene 2001/95/EC și a standardelor EN 60065:2002/A12:2011 și EN 60950-1:2006/A12:2011, referitoare la nivelul de decibeli emise de aparatele comercializate;
- Declarația de conformitate a producătorului,
- Produsul a fost evaluat conform următoarelor standarde: Sănătate: EN 50360, EN50361, Siguranță: EN 6596-1, EMC EN 301 489-1/-7/-17, Spectru radio: EN 301511, EN 300328;

DOSARUL TEHNIC este disponibil la sediul S.C. E-BODA DISTRIBUTION SRL  
Declarația este întocmită în conformitate cu prevederile Anexei II a HG nr. 88/2003;

București: 26.02.2014

Director General  
Emilia Burcea





## REVO R90 Specifications

### Hardware

CPU	Manufacture		Allwinner Technology Co.,Ltd	
	Model		A31s	
	Type		Cortex A7 Quad Core	
	Architecture		ARM	
	Frequency		1.0 GHz	
	Cache		L1	256 KB
		L2	1MB	
GPU	PowerVR SGX544MP2		Eight Cores 355 MHz	
RAM	DDR 3		1G	
ROM	8GB			
WI-FI	802,11 B/G/N			
3G	**by external dongle			
G-Sensor	4 axis			
Bluetooth	Version		4,0	
	Profile		AVRCP, A2DP, SPP, DUN, OPP	
Display	Type		7,85" IPS LCD	
	Resolution		1024*768	
	Touch		5 independent touch points	
	Structure		P+G	
	Back lighting		LED Technology	
Power	Battery	Capacity	3,7V / 4000mAh	
		Autonomy	***up to 4 hours	
		ST/BY	up to 60 hours	
	Adapter	220V AC/50-60Hz --- 5V DC 2000mA		
Sockets & Connectors	USB micro		Compatible to ver. 2.0	
	HDMI type C		1080p	
	TF Card		Up to 32G	
	Audio output 3,5" jack		Earphones up to 32Ω	
Camera	Front		VGA, 0,3M, 640x480px	
	Back		UXGA, 2M, 1600x1200px	

*\* The device performance depends on user installed applications.*

*\*\* Not every 3G Dongle can be recognized by this device. Please consider the list on the official website.*

*\*\*\* The battery lasting depends on the user settings, usage and charge cycle.*

### Software

OS	Android™ 4.2
Search engine	Pre - installed



<b>Video support</b>	AVI (H.264, DIVX, DIVX, XVID, rm, rmvb, MKV (H.264, DIVX, DIVX, XVID), WMV, MOV, MP4 (H.264, MPEG, DIVX, XVID), MPEG, MPG, FLV (H.263, H.264)
<b>Audio support</b>	MP3,WMA,MP2,OGG,AAC,M4A,MA4,FLAC,APE,3GP,WAV
<b>Photo support</b>	JPEG,GIF,PNG,BMP
<b>Office file support</b>	DOC/XLS/PPT/PDF/TXT
<b>Game support</b>	OpenGL ES2.0 Open CL1.x,DX9_3
<b>E-mail</b>	Exchange, IMAP, POP3, SMTP



**CE** маркировката е задължителна маркировка за съответствие за продуктите, включени на пазара в Европейското икономическо пространство. **CE** маркировката на един продукт гарантира, че продуктът съответства на съществените изисквания на приложимите **CE** директиви.



Този продукт е маркиран с отличителен знак за селективно сортиране на електрически и електронни отпадъци. Този символ посочва факта, че продуктът трябва да бъде приет от система за разделно събиране на отпадъци, в съответствие с директива 2002/96/ЕО на ЕС, така че да може да се рециклира или разглобява за свеждане до минимум на въздействието върху околната среда.

**Внимание!** Електронните продукти, които не се събират разделно, могат да навредят на околната среда и човешкото здраве, понеже могат да съдържат опасни вещества.

## **БАТЕРИИТЕ:**

### **Внимание!**

Забранява се изхвърлянето на батериите на боклука. Предавайте използваните батерии на централите за рециклиране.

Несъответстващото използване на батериите може да причини течове или корозия.

Не монтирайте батериите в грешна посока.

Опасно е да зареждате/ удряте/ отваряте или причинявате късо съединение на батериите.

Не оставяйте разредените/използваните батерии в продукта.

Ако няма да използвате продукта за продължително време, извадете батериите. Сменяйте батериите, когато часовникът започне да работи по несъответстващ начин.

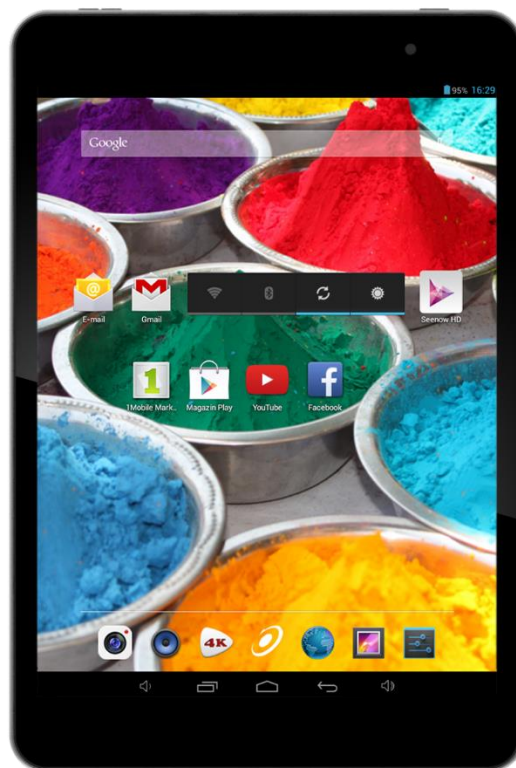
Ако е възникнал теч на батериите вътре в продукта почистете течността и заменете батериите.

Батериите, включени в опаковката, не съдържат тежки метали.





**RoHS** (Ограничаване на опасните вещества). Тази директива е регламент, който се прилага от дата **01 юли 2006 г.** и се отнася до ограниченията за продаване на пазара на продукти и електрическо и електронно оборудване, съдържащи опасни вещества като олово, шествалентен хром, кадмий, полибромирани бифенили (PBB), полибромирани дифенил етери (PBDE).

## Revo R90 tablet



## Gyors üzembe helyezési útmutató

	<b>VIGYÁZAT</b> <b>ÁRAMÜTÉS VESZÉLY</b> <b>NE NYISSA KI</b>	
<b>AZ ÁRAMÜTÉS VESZÉLYÉNEK MEGELŐZÉSE ÉRDEKÉBEN NE TÁVOLÍTSA EL A KÉSZÜLÉK FEDELÉT! FELHASZNÁLÓ ÁLTAL JAVÍTHATÓ ALKATRÉSZEK A KÉSZÜLÉKEN BELÜL NINCSENEK. BÍZZA A JAVÍTÁST KÉPESÍTETT SZERVIZSZAKEMBERRE.</b>		



A háromszögbe rajzolt, nyílban végződő villámszimbólum arra figyelmezteti a felhasználót, hogy a rendszer burkolatán belül veszélyes nagyságú, szigetelés nélküli feszültség található, amely elég erős ahhoz, hogy áramütést okozzon.



Az egyenlő oldalú háromszögben látható felkiáltójel a felhasználói útmutatóban található fontos üzemeltetési és karbantartási utasításokra hívja fel a felhasználó figyelmét.

**FIGYELMEZTETÉS:****TŰZ ÉS ÁRAMÜTÉS ELKERÜLÉSE ÉRDEKÉBEN NE TEGYE KI  
A KÉSZÜLÉKET ESŐNEK ÉS NEDVESSÉGNEK.****VIGYÁZAT:****RÖVIDZÁRLAT ELKERÜLÉSE ÉRDEKÉBEN GYŐZŐDJÖN MEG RÓLA, HOGY A  
KÉSZÜLÉK DUGÓJA A FŐ ÁRAMFORRÁSRA VAN CSATLAKOZTATVA.**



## FONTOS BIZTONSÁGI TUDNIVALÓK



A vállalat által kínált összes termék ólommentes, megfelel a Veszélyes Anyagok Korlátozására (RoHS) vonatkozó Európai Irányelv követelményeinek, ami azt jelenti, hogy a gyártási folyamatok és termékek szigorúan "ólommentesek", és nem találhatók bennük az irányelvben megadott veszélyes anyagok.



Az áthúzott kerekese szeméttároló jel azt jelzi, hogy az Európai Unióban a terméket a termék élettartama végén külön kell gyűjteni. Ez a termékre és a szimbólummal jelölt bármilyen perifériás eszközre vonatkozik. Ne ártalmatlanítsa a termékeket válogatatlan kommunális hulladékként. Kérdezze a helyi márkakereskedőt a berendezés újrahasznosítási eljárásaira vonatkozóan.

## JOGI MEGJEGYZÉSEK

Fenntartjuk a jogot arra, hogy e kézikönyv bármely részét bármikor megváltoztassunk vagy töröljük. Nem adunk garanciát és nem vállalunk semminemű jogi felelősséget vagy kötelezettséget a kézikönyv pontosságáért, teljességéért és használhatóságáért. A kézikönyv tartalma minden értesítés nélkül változhat.

Az itt szereplő képek csak bemutatási célt szolgálnak, nem tekintetők reprezentatívnak a reális termék vonatkozásában.

## AJÁNLÁSOK

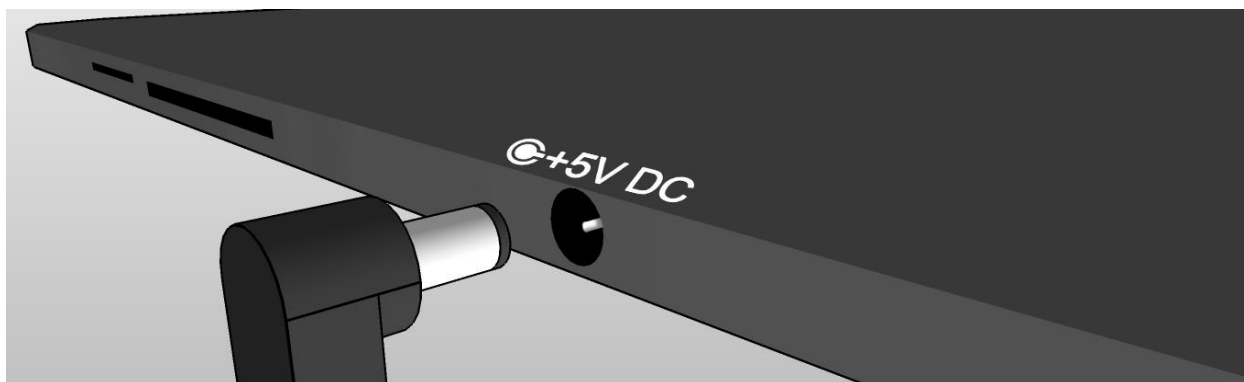
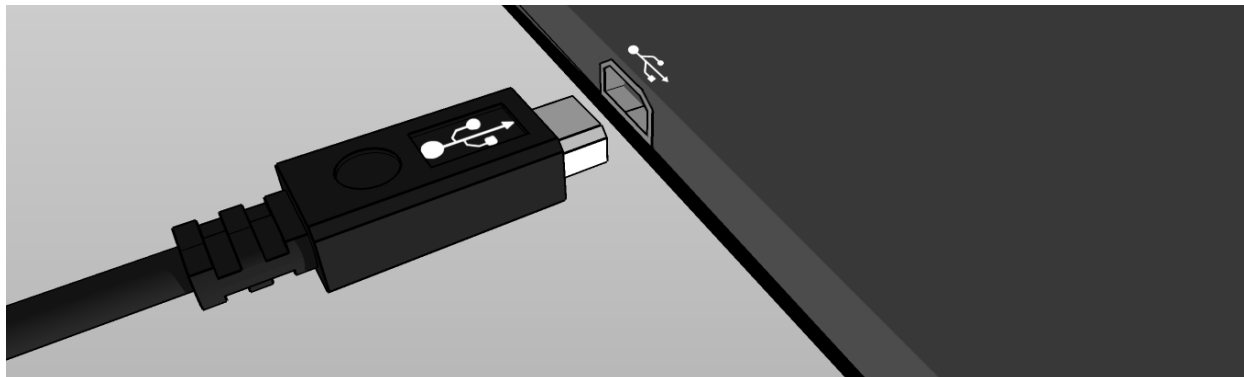
- **KERÜLJÜK A POROS HELYEKET:** Ha sok por gyűl össze, a tablet működésképtelenné válhat
- **KERÜLJÜK A NEDVESSÉGET:** Ha a készülék vízzel érintkezik magas az áramütés veszélye.
- **NE EJTSÜK LE A TERMÉKET:** Amennyiben a termék leesik, a belső alkatrészek megrongálódhatnak.
- **NE NYISSUK FEL A KÉSZÜLÉK BORÍTÓJÁT:** A termék belsejében nincsenek olyan alkatrészek, melyeket a felhasználók is javíthatnának.

## KERESEKEDelmi MRKÁRA VONATKOZÓ MEGJEGYZÉSEK

- Az Android™ a Google kereskedelmi márkája.
- A Microsoft™ és a Windows™ a Microsoft Corporation bejegyzett márkái.
- Minden alkalmazás szerzői joga © az alkalmazás tulajdonosait illeti meg.

## Indítás

**1.** Töltse fel a Tabletet a töltő csatlakozójához való csatlakoztatásával és a töltő csatlakozójának a tablet USB csatlakozóhoz vagy a töltőcsatlakozóhoz való csatlakoztatásával. Ugyanakkor az Ön tabletje akkor is töltődik, ha számítógéphez csatlakoztatja USB porton keresztül és adatátvitelt végez.



**2.** A tablet képernyője közepén látható jel (🔋) a töltést jelzi. Amikor a akkumulátor teljesen fel van telve, a kijelzőn látható jelzés is teljesen kitelik.

*Tanács: A tabletet töltés közben is használhatja.*

**3.** A tabletet az indító gomb legfeljebb 5 másodperces lenyomásával indíthatja el. Miután elindult, megnyithatja az indítóképernyőn található felhasználói útmutatót ("User's Guide"), hogy a termékkel közelebbről megismerkedhessen.



## Ismerkedés

ITEM	INFÓ
1 - DISPLAY	A tablet kijelzője
2 - CAMERA	A frontális kamera
3 - VOLUM +	Növeli a hangerőt
3 - VOLUM -	Csökkenti a hangerőt
4 - USB PORT	Csatlakozás számítógéphez/Akkumulátor töltés
5 - MINI HDMI	Mini HDMI port csatlakozó TV
6 - MIKROFON	Hangfelvétel készítéséhez használható
7 - JACK 3.5 mm	Hang csatlakozó
8 - MICRO SD PORT	A memória bővítéséhez csatlakoztasson egy Micro SD kártyát
9 - POWER	Indító/kikapcsoló gomb
10 - VISSZAÁLLÍTÁS	Alaphelyzetbe állítja vissza a tabletet.
ALAPHELYZETBE	

11 - CAMERA	Hátsó kamera
12 - ALKALMAZÁSOK MENÜ	Megnyitja azt a menüt, amelyben megjelenik az összes alkalmazás
13 - VISSZA	Visszalépés az előző nézetre
14 - HOME/HAZA	Személyes lap
15 - MEGNYÍTOTT ALKALMAZÁSOK	Megmutatja a megnyitott alkalmazásokat. Az alkalmazás bezárásához húzza jobbra vagy balra, amíg eltűnik a képernyőről.

## Csatlakoztatás

**Minden tablet rendelkezik beépített Wi-Fi csatlakozóval, illetve egyes modellek rendelkeznek 3G csatlakozóval is.**

*Tanács: Ahhoz, hogy ellenőrizni tudja, hogy az Ön tabletje Wi-Fi csatlakozóval vagy Wi-Fi és 3G csatlakozóval rendelkezik-e, nyomja le az alkalmazások menügombot, majd válassza a "Beállítások"-at (Settings). A beállítások listájából válassza a "Tabletről (About Tablet)" opciót, majd kattintson az "Állapot" (Status)-ra. Amennyiben az itt megnyíló listában a „SIM státus” (SIM Status) megjegyzést találja, ez azt jelenti, hogy Ön olyan tablettel rendelkezik, amely 3G-vel is képes csatlakozni, különben az Ön készüléke Wi-Fi-s készülék.*

Amennyiben az Ön tabletje fel van szerelve 3G csatlakozóval is, ellenőriznie kellene a mobil hálózati beállításokat: a beállításokban nyissa meg a "Továbbiak..." (More...) menüt a "Wireless és hálózatok" kategóriából (Wireless and networks), majd válassza a "Mobil hálózatok"-at (Mobile networks), "Csatlakozási pontok megnevezése" (Access Point Names) és adja hozzá az APN beállításokat. Ezeket megtalálja a mi weblapunkon vagy pedig az Ön által igénybe vett mobilszolgáltató honlapján. Amennyiben a tablet kijelzőjének jobb felső sarkában található hálózati kijelzőn (📶) megjelennek a pálcikák, akkor azt jelenti, hogy a tablet már csatlakozott az internethez.

Amennyiben az Ön tabletje csakis Wi-Fi csatlakozóval rendelkezik vagy ha egy 3G csatlakozós tabletet szeretne Wi-Fi hálózatra csatlakoztatni, kövesse az alábbi lépéseket:

1. Nyomja le a "Home" gombot, majd az "Alkalmazások menüpont"-ot.
2. A megnyitott listából válassza a "Beállítások"-at.
3. Válassza a "Wi-Fi"-t, a szürke sávot csúsztassa el jobbra és kéké válik, ezt követően meg fognak jelenni az elérhető Wi-Fi hálózatok.
4. Válasszon egy nyilvános vagy magán Wi-Fi hálózatot. A magánhálózatok szimbóluma mellett egy kis lakatot is láthatunk, ezek jelszót fognak kérni.



## Bejelentkezés

A tabletet könnyedén bejelentkeztetheti egy Gmail fiókba az alábbi lépéseket követve:

1. Lépjen be a "Beállítások"-ba (Settings).
2. A "Fiókok" (Accounts) kategória alatt válassza a "Fiók hozzáadása" lehetőséget (Add account).
3. A megnyitott listából válassza a "Google"-t.
4. Ha még nincs fiókja, válassza az "Új" (New) pontot. Ha már van fiókja, olvassa el alább a tájékoztató kilencedik pontját.
5. Írja be keresztnévét és nevét a szöveges mezőkbe, majd kattintson a jobbra mutató nyíllra.
6. Most megnyílt a "Válasszon felhasználónevet" (Choose username) menüpont. Írja be a választott felhasználónevet a szöveges mezőbe, majd folytassa. Amennyiben a felhasználónév már foglalt, próbálhat egy másikat, sőt lehetősége nyílik egy ajánlatlistából választani. Egy felhasználónév kiválasztását követően, nyomja le a jobb oldali nyilat.
7. A fiókhoz rendeljen hozzá egy jelszót, majd írja be ismételten a második mezőbe azt. Nyomja le a jobb oldali nyilat a folytatáshoz.
8. Adjon meg információkat a fiók visszaszerzéséhez: egy biztonsági kérdés és egy e-mail cím a visszanyeréshez.
9. Ha még nem csatlakoztatta a fiókját a "Google+" közösségi médiahálózathoz, most megteheti.
10. Ha még nem csatlakoztatott egy kártyát a "Google Wallet"-hez, amely egy a Google által üzemeltetett banki szolgáltatás, most megteheti. Tekintettel arra, hogy nem kötelező, ezt a lépést átugorhatja.
11. A "Biztonsági másolat" (Backup) menü segítségével a tableten levő adatairól biztonsági másolatot őrizhet a Google fiókjában. Nyomja le a jobb oldali nyilat a folytatáshoz. Ez az utolsó lépés a Google fiókhoz való csatlakozáshoz.

*Tanács: Új alkalmazások telepítéséhez nyissa meg az Alkalmazások menüt és válassza a "Google Play Üzlet"-et (Google Play Store) . Ott beírhatja a keresőbe a kívánt alkalmazás nevét vagy telepíthet az ott felajánlott lehetőségek közül.*

## Elérhetőség

A tablettel kapcsolatos kérdések, problémák vagy segítségkérés esetén kapcsolatba léphet az E-Boda Vevőszolgálatot az alábbi módok egyiké szerint:

Online: [www.e-boda.ro/e-boda-service-center](http://www.e-boda.ro/e-boda-service-center)

E-mail: [support@e-boda.ro](mailto:support@e-boda.ro)

Telefon: 031.4253.775 - Mobil: 0724.282.258 (rendes hívásdíj).



## Kiegészítő információk

Az Ön tabletjének képernyőjén található Felhasználói útmutató (User's Guide) további információkat nyújthat a készülék működéséről. Használhatja a keresőt a kívánt információk megtalálásához.

1. Nyomja le a Home gombot
2. Válassza az "User Guide"-t.
3. Válassza ki a listából a kívánt fejezetet, és a cím megérintésével az automatikusan meg fog nyílni.

## Korlátolt jótállás

A tabletért az E-Boda Distribution S.R.L (KFT) jótállást vállal, címünk ilyen esetekre: Cernica község, Ilfov megye, Oxigenului utca 2B, Románia. Tájékoztatónkban a jótállást nyújtó céget néha a "mi" kifejezéssel illetjük.

E készülék jótállása a vásárlás eredeti idejétől számítva két évre szól az anyagok és kivitelezés meghibásodásaira normál használat esetén. A garanciális időszakban, ha valamilyen meghibásodás jelentkezik és Ön betartja a jótállással kapcsolatos utasításokat, a törvény által meghatározott keretek közt a mi választásunk szerint a készüléket: (i) megjavítjuk új vagy újracsomagolt alkatrészek felhasználásával, (ii) kicseréljük a tabletet új vagy újracsomagolt részek felhasználásával, vagy (iii) visszatérítjük részben vagy egészben a tablet árát. Ez a jótállás alkalmazandó bármely javítás, teljes vagy részleges csere esetén a jótállási időszakban. A tablet vagy annak azok a részei, melyeknek visszafizettük az árát, a mi tulajdonunkba kerülnek. A garancia csakis a tablet azon hardware alkatrészeire vonatkozik, amelyeket nem ért baleset, hibás felhasználás, gondatlanság, tűz vagy külső okok, elváltozások, jogosulatlan javítás vagy kereskedelmi felhasználás.

**Utasítások.** A tabletre vonatkozó garanciális szolgáltatások igénybevételével kapcsolatos utasításokért kérjük, lépjenek kapcsolatba vevőszolgálatunkkal a fent felsorolt kapcsolati lehetőségek valamelyikén. Általában Önnek kell a készüléket a jótállási szolgálathoz elküldeni. Ugyancsak az Ön felelőssége menteni a tableten levő adatokat, programokat vagy más anyagokat. Előfordulhat, hogy adatok, programok vagy bármely más anyag elvesz, esetleg újraformázásra kerül abban az időszakban, amíg a készülék a szervizben van, nem vállalunk felelősséget az ilyen jellegű veszteségekért.

### Környezeti tényezők:

- Környezet hőmérséklete működéskor: 0°C-tól 35°C-ig.
- Környezet hőmérséklete tároláskor (kikapcsolt termék esetén): -10°C-tól 45°C-ig.
- Relatív páratartalom: 5%-tól 95%-ig párakicsapódás nélkül.



**Használati feltételek és hőmérsékleti határértékek.** A tabletet 0°C és 35°C közt használhatja. Alacsony vagy magas hőmérsékletek megrövidíthetik a akkumulátor élettartamát. A terméket -10°C és 45°C közt tárolhatja. Ne hagyja készülékét gépjárművekben, mert a parkolt gépkocsikban a hőmérséklet meghaladhatja ezeket az értékeket.

A tablet használat közben vagy az akkumulátor töltése közben melegedhet, ez természetes folyamat. A termék külső burka hűtőfelületként működik, mely a belső hőt a külső, hűvösebb levegőnek adja át.

Feltételek és cselekedetek, melyek károsíthatják a készülék teljesítményét és működését:

- Hőségben gépkocsiban hagyni a készüléket.
- Hosszabb időre a nap sugarainak kitenni.
- Magas hőmérsékletben vagy nap sugarainak kitett módon bizonyos funkciók huzamos használata: pl. GPS, gépkocsiban való navigáció, intenzív grafikát használó játékok.

### DECLARAȚIE DE CONFORMITATE nr. 1027-EBD

Noi S.C. E-BODA DISTRIBUTION SRL, cu sediul în ILFOV , Comuna Cernica , Strada Oxigenului Nr. 2B cu Certificat de înregistrare la REGISTRUL COMERȚULUI: J 23/1641/2013, Cod Unic de Înregistrare: 16021123, în calitate de importator, asigurăm, garantăm și declarăm pe propria răspundere, conform prevederilor art. 5 din Hotărârea Guvernului nr. 1022/2002, privind regimul produselor și serviciilor care pot pune în pericol viața, sănătatea, securitatea muncii și protecția mediului, că produsul:

**Denumire:** *Tableta PC*

**Model:** *Revo R90*

**Marca:** *E-Boda;*

*Importat din China, în anul 2014.*

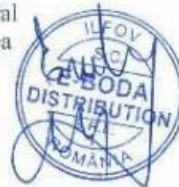
La care se referă această declarație nu pune în pericol viața, sănătatea, securitatea muncii, nu produce un impact negativ asupra mediului, respectă cerințele de protecție și este în conformitate cu standardele și normativele menționate mai jos:

- Directiva pentru echipamentele radio și de telecomunicații: R&TTE 199/5/CEE (HG 88/303);
- Directiva privind asigurarea utilizatorilor de echipamente de joasă tensiune 73/32/CEE, modificată de Directiva 93/68/CEE (HG 457/2003);
- Directiva privind compatibilitatea electromagnetică 89/336/CEE, modificată de Directiva 92/31/CEE și 93/68/CEE (HG497/2003);
- Cerințele de siguranță ale Directivei Europene 2001/95/EC și a standardelor EN 60065:2002/A12:2011 și EN 60950-1:2006/A12:2011, referitoare la nivelul de decibeli emise de aparatele comercializate;
- Declarația de conformitate a producătorului,
- Produsul a fost evaluat conform următoarelor standarde: Sănătate: EN 50360, EN50361, Siguranță: EN 6596-1, EMC EN 301 489-1/-7/-17, Spectru radio: EN 301511, EN 300328;

DOSARUL TEHNIC este disponibil la sediul S.C. E-BODA DISTRIBUTION SRL  
Declarația este întocmită în conformitate cu prevederile Anexei II a HG nr. 88/2003;

București: 26.02.2014

Director General  
Emilia Bureca







## REVO R90 Specifications

Hardware			
<b>CPU</b>	Manufacture		Allwinner Technology Co.,Ltd
	Model		A31s
	Type		Cortex A7 Quad Core
	Architecture		ARM
	Frequency		1.0 GHz
	Cache		L1      256 KB L2      1MB
<b>GPU</b>	PowerVR SGX544MP2		Eight Cores 355 MHz
<b>RAM</b>	DDR 3		1G
<b>ROM</b>	8GB		
<b>WI-FI</b>	802,11 B/G/N		
<b>3G</b>	**by external dongle		
<b>G-Sensor</b>	4 axis		
<b>Bluetooth</b>	Version		4,0
	Profile		AVRCP, A2DP, SPP, DUN, OPP
<b>Display</b>	Type		7,85" IPS LCD
	Resolution		1024*768
	Touch		5 independent touch points
	Structure		P+G
	Back lighting		LED Technology
<b>Power</b>	<b>Battery</b>	Capacity	3,7V / 4000mAh
		Autonomy	***up to 4 hours
		ST/BY	up to 60 hours
	<b>Adapter</b>	220V AC/50-60Hz --- 5V DC 2000mA	
<b>Sockets &amp; Connectors</b>	USB micro		Compatible to ver. 2.0
	HDMI type C		1080p
	TF Card		Up to 32G
	Audio output 3,5" jack		Earphones up to 32Ω
<b>Camera</b>	Front		VGA, 0,3M, 640x480px
	Back		UXGA, 2M, 1600x1200px
<i>* The device performance depends on user installed applications.</i>			
<i>** Not every 3G Dongle can be recognized by this device. Please consider the list on the official website.</i>			
<i>*** The battery lasting depends on the user settings, usage and charge cycle.</i>			
Software			
<b>OS</b>		Android™ 4.2	
<b>Search engine</b>		Pre - installed	

<b>Video support</b>	AVI (H.264, DIVX, DIVX, XVID, rm, rmvb, MKV (H.264, DIVX, DIVX, XVID), WMV, MOV, MP4 (H.264, MPEG, DIVX, XVID), MPEG, MPG, FLV (H.263, H.264)
<b>Audio support</b>	MP3,WMA,MP2,OGG,AAC,M4A,MA4,FLAC,APE,3GP,WAV
<b>Photo support</b>	JPEG,GIF,PNG,BMP
<b>Office file support</b>	DOC/XLS/PPT/PDF/TXT
<b>Game support</b>	OpenGL ES2.0 Open CL1.x,DX9_3
<b>E-mail</b>	Exchange, IMAP, POP3, SMTP



A **CE** egy olyan megfelelőségi jelölés, amelyet kötelező módon fel kell tüntetni az Európai Gazdasági Térségben forgalmazott termékeken. Egy termék **CE** megfelelőségi jelölése garantálja, hogy a termék megfelel az alkalmazott EK irányelvek alapvető követelményeinek.



Ez a termék el van látva az elektromos és elektronikus hulladékok szellektív gyűjtését jelképező szimbólummal. Ez a szimbólum jelöli, hogy a terméket a 2002/96/EK európai irányelv értelmében szellektív hulladékgyűjtő rendszerbe kell irányítani annak újrahasznosítása vagy szétbontása céljából és a környezetre gyakorolt esedleges negatív hatások mértékének csökkentése érdekében.

**Figyelem!** A elektronikai cikkek szellektív gyűjtésének elhanyagolása veszélyeztetheti a környezetet és az emberek egészségét, mivel azok veszélyes anyagokat tartalmazhatnak.

## **AKKUMULÁTOROK:**

### **Figyelem!**

Tilos az akkumulátort a szemébe dobni! Vigye el az elhasználdott akkumulátorokat egy veszélyes hulladékok gyűjtésére kijelölt pontba.

Az akkumulátorok helytelen használata esetén korrózióveszély áll fenn.

Ne szerelje az akkumulátort helytelen irányba.

Veszélyes az akkumulátorokat feltölteni / ütni / kinyitni vagy rövidzárlat veszélyének kitenni.

Az elhasználdott akkumulátort ne hagyja a készülékben.

Ha több ideig nem használja a készüléket, távolítsa el belőle az akkumulátort. Cserélje ki az akkumulátorokat amikor az óra nem működik megfelelően.

Ha az akkumulátor kifolyik a készülék belsejébe, tisztítsa meg a folyadéktól a készüléket és cserélje ki az akkumulátort.

A csomagban levő akkumulátorok nem tartalmaznak nehéz fémeket.



ROHS (Restriction on Hazardous Substances). Ez az irányelv **2006 július 1-én** lépett hatályba és előírja az ólom, a hatvegyértékű króm, a kadmium, a polibrómozott bifenilek (PBB), és polibrómozott difenil-éterek (PBDE) bizonyos elektromos és elektronikai berendezésekben való alkalmazásának megszüntetését.